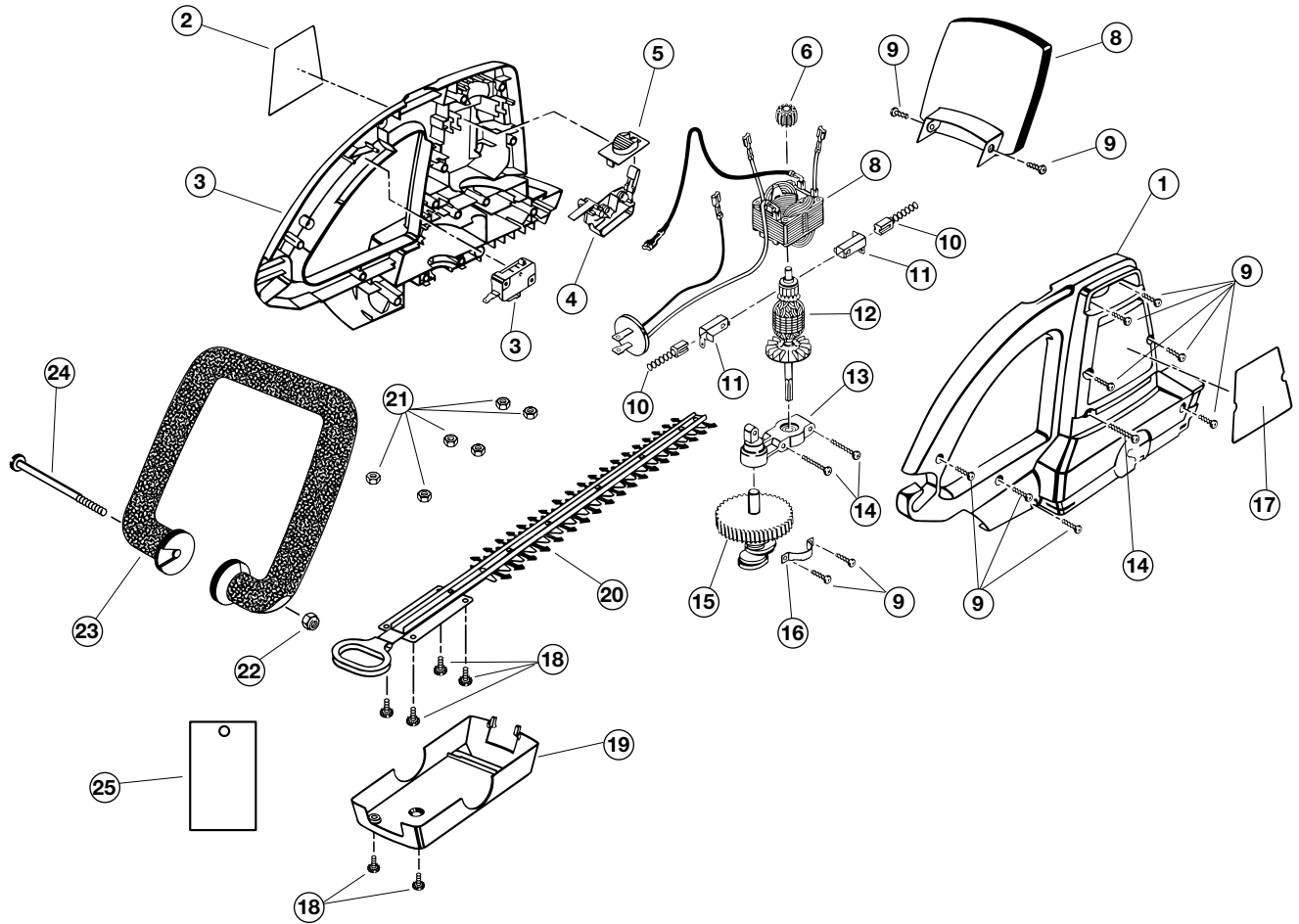


REPLACEMENT PARTS - MODEL HT920Dr DUAL ACTION HEDGE TRIMMER

(Serial Number 80001-9815 and greater)



Item	Part No.	Description	Item	Part No.	Description
1	980410-000	Housing Assembly	14	617966-032	Screw (8-10 X 1-1/4" Pan Hd.)
2	980406-001	Logo Plate (HT816r)	15	968308-014	Gear Assembly
3	968303-089	Switch	16	606806-003	Bearing Strap
4	661127-001	Switch Trigger Assembly	17	980408-001	Data Plate
5	664129-001	Lock-On Button	18	968960-001	Screw (8-32 X 1/2" Pan Hd. with Lock Patch)
6	998044-001	Heat Sink with Bearing	19	967763-003	Blade Cover
7	974249-004	Field and Disc Assembly	20	969781-001	20 inch Blade Assembly
8	967760-001	Blade Guard	21	929058-020	Hex Nut (8-32)
9	617966-031	Screw (8-10 X 3/4" Pan Hd.)	22	703477-057	Hex Nut (1/4-20)
10	968304-044	Brush Assembly	23	663655-002	Front Handle
11	990839-001	Brush Tube	24	930517-804	Screw (1/4-20 X 5" Rd. Hd.)
12	968306-103	Armature	25	662894-001	Inspection Tag
13	968162-001	Bearing Plate with Bearings	*	972000-580	Owner's Manual